

Data sheet

INOX FILTER 20X20

Dimensions

The machine is completely wired and set up at the factory, it only needs power.

Dedicated and designed for small production. Easy to transport and light.

Small model and effective in filtering. You do not need any accessories to filter with 10 or 20 plates.



Componentes

Inox structure.

It incorporates JIMG 5 pump Includes pressure gauge 0-6 bar Collection tray.

20x20 white interior plates 20x20 plates.

black ends Fixed plate.

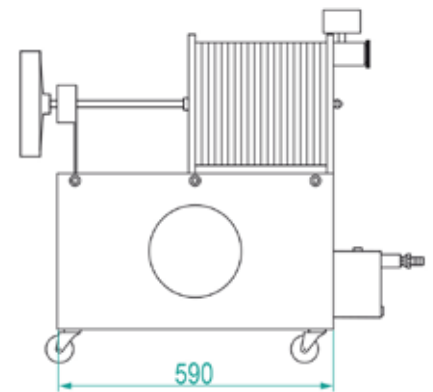
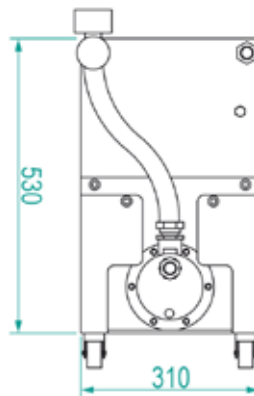
Mobile plate.

Gasket.

Steering wheel Connectors.

Gasket.

Connecting hose Wheels.



Features

model	Filter surface	Min. Flow	Max. Flow	Max. Power	Weight
Inox 10 (oil)	0,4 m ²	300 l/h	600 l/h	0,5 Hp	35 kg.
Inox 20 (wine)	0,8 m ²	600 l/h	1.200 l/h	0,5 Hp	37 kg.

